



METEOROLOGICAL INSTRUMENTS

INSTRUCTIONS

WIND MONITOR
with 4-20mA OUTPUTS
MODEL 05103L





**MODEL 05103L
WIND MONITOR
with 4-20mA OUTPUTS**



WIND SPEED SPECIFICATION SUMMARY

Range	0 to 100 m/s (224 mph)
Sensor	18 cm diameter 4-blade helicoid polypropylene propeller, 29.4 cm air passage per revolution
Distance Constant	2.7 m (8.9 ft.) for 63% recovery
Threshold Sensitivity	1.0 m/s (2.2 mph)
Transducer	Centrally mounted stationary coil, 2K Ohm nominal DC resistance
Output Signal	4 to 20 mA = 0 to 100 m/s

WIND DIRECTION (AZIMUTH) SPECIFICATION SUMMARY

Range	360° mechanical, 355° electrical (5° open)
Sensor	Balanced vane, 38 cm (15 in) turning radius.
Damping Ratio	0.3
Delay Distance	1.3 m (4.3 ft) for 50% recovery
Threshold Sensitivity	1.1 m/s (2.4 mph) at 10° displacement
Damped Natural	
Wavelength	7.4 m (24.3 ft)
Undamped Natural	
Wavelength	7.2 m (23.6 ft)
Transducer	Conductive plastic potentiometer, 10K ohm resistance (±20%), 0.25% linearity, life expectancy 50 million revolutions
Output Signal	4 to 20 mA = 0 to 360°

GENERAL

Power Requirement: 12 to 30 VDC, 20 mA per channel
Operating Temp: -50 to 50°C (-58 to 122°F)

INTRODUCTION

The 05103L Wind Monitor measures wind speed and direction and provides calibrated wind speed and direction signals via independent loop-powered 4-20 mA analog transmitters. Sensor housing, nose cone, propeller, and other components use molded UV-stabilized plastic for strength, corrosion resistance, light weight, and fast response. Both the propeller and vertical shafts use stainless steel precision grade ball bearings.

The sensor mounts directly on standard one inch pipe, outside diameter 34 mm (1.34"). An orientation ring allows sensor removal without loss of wind direction reference. Both sensor and orientation ring are secured to the mounting pipe by stainless steel band clamps. Electrical connections are made in a junction box on the mounting post.

INITIAL CHECK-OUT

Carefully unpack and check the Wind Monitor for any signs of shipping damage. Remove the plastic nut on the propeller shaft. Install the propeller on the shaft with the serial number of the propeller facing forward (into the wind) and replace the nut.

Vane and propeller should easily rotate 360° without friction. Check vane balance by holding the instrument mounting post so the vane surface is horizontal. It should have near neutral torque. A slight imbalance will not degrade performance.

Check operation with displays, data loggers, or other devices before installation.

INSTALLATION

As a general rule, air flow around a structure is disturbed to twice the height of the structure upwind, six times the height downwind, and up to twice the height of the structure above ground. To obtain meaningful data for most applications, locate the instrument well above or upwind from obstructions. For some applications it may not be practical or necessary to meet these requirements.

CONNECT THE WIND MONITOR TO EARTH GROUND AS SHOWN IN THE WIRING DIAGRAM TO AVOID ERRONEOUS SIGNALS OR SENSOR DAMAGE.

Initial installation is most easily performed using two people; one to adjust instrument position and the other to observe an indicating device. After initial installation with the included orientation ring, the instrument can be removed and returned to its mounting without re-alignment. Install the Wind Monitor following these steps:

1. MOUNT WIND MONITOR
 - a) Place orientation ring on mounting post. Do Not tighten band clamp yet. (Orientation ring may be omitted when portable tripod is used.)
 - b) Place Wind Monitor on mounting post. Do Not tighten band clamp yet.
2. CONNECT SENSOR CABLE.
 - a) Connect sensor cable according to wiring diagram located at back of manual.
3. ALIGN VANE
 - a) Connect instrument to indicator.
 - b) Choose a known wind direction reference point on the horizon.
 - c) Sighting down instrument center line, point nose cone at reference point on horizon.

- d) While holding vane in position, slowly turn base until indicator shows proper value.
- e) Tighten mounting post band clamp.
- f) Engage orientation ring indexing pin in notch at instrument base.
- g) Tighten orientation ring band clamp.

CALIBRATION

The 05103L Wind Monitor is fully calibrated before shipment and requires no additional adjustment. Check sensor calibration once per year or as needed. Please see the wiring diagram for output scaling information.

Calibration checks can be easily performed in the field using the calibration accessories available from YOUNG. NIST traceable wind tunnel calibration is also available. Contact YOUNG for details.

Details on checking bearing torque, which affects wind speed and direction threshold, appear in the following section.

CALIBRATION FORMULAS

Model 05103L Wind Monitor w/08234 Propeller

WIND SPEED	vs	PROPELLER RPM
m/s	=	0.00490 x rpm
knots	=	0.00952 x rpm
mph	=	0.01096 x rpm
km/h	=	0.01764 x rpm
WIND SPEED	vs	mA OUTPUT
m/s	=	(6.250 x mA)-25
knots	=	(12.141 x mA)-48.6
mph	=	(13.980 x mA)-56
km/h	=	(22.500 x mA)-90
WIND DIRECTION	vs	mA OUTPUT
DEGREES	=	(22.5 x mA)-90

MAINTENANCE

Given proper care, the Wind Monitor should provide years of service. The only components likely to need replacement due to normal wear are the precision ball bearings and the wind direction potentiometer. Only a qualified instrument technician should perform the replacement. If service facilities are not available, return the instrument to the company. Refer to the drawings to become familiar with part names and locations. The asterisk (*) which appears in the following outlines is a reminder that maximum torque on all set screws is 80 oz-in.

POTENTIOMETER REPLACEMENT

The potentiometer has a life expectancy of fifty million revolutions. As it becomes worn, the element may begin to produce noisy signals or become non-linear. When signal noise or non-linearity becomes unacceptable, replace the potentiometer. Refer to exploded view drawing and proceed as follows:

1. REMOVE MAIN HOUSING

- a) Unscrew nose cone from main housing. Set o-ring aside for later use.
- b) Gently push main housing latch.
- c) While pushing latch, lift main housing up and remove it from vertical shaft bearing rotor.

2. UNSOLDER TRANSDUCER WIRE

- a) Remove junction box cover, exposing circuit board.
- b) Remove screws holding circuit board.
- c) Unsolder three potentiometer wires (white, green, black), two wind speed coil wires (red, black), and earth ground wire (red) from board.

3. REMOVE POTENTIOMETER

- a) Loosen set screw on potentiometer coupling and remove it from potentiometer adjust thumbwheel.
- b) Loosen set screw on potentiometer adjust thumbwheel and remove it from potentiometer shaft.
- c) Loosen two set screws at base of transducer assembly and remove assembly from vertical shaft.
- d) Unscrew potentiometer housing from potentiometer mounting & coil assembly.
- e) Push potentiometer out of potentiometer mounting & coil assembly by applying firm but gentle pressure on potentiometer shaft. Make sure that the shaft o-ring comes out with the potentiometer. If not, then gently push it out from the top of the coil assembly.

4. INSTALL NEW POTENTIOMETER

- a) Push new potentiometer into potentiometer mounting & coil assembly making sure o-ring is on shaft.
- b) Feed potentiometer and coil wires through hole in bottom of potentiometer housing.
- c) Screw potentiometer housing onto potentiometer mounting & coil assembly.
- d) Gently pull transducer wires through bottom of potentiometer housing to take up any slack. Apply a small amount of silicone sealant around hole.
- e) Install transducer assembly on vertical shaft allowing 0.5 mm (0.020") clearance from vertical bearing. Tighten set screws* at bottom of transducer assembly.
- f) Place potentiometer adjust thumbwheel on potentiometer shaft and tighten set screw*.
- g) Place potentiometer coupling on potentiometer adjust thumbwheel. Do Not tighten set screw yet.

5. RECONNECT TRANSDUCER WIRES

- a) Using needle-nose pliers or a paper clip bent to form a small hook, gently pull transducer wires through hole in junction box.
- b) Solder wires to circuit board according to wiring diagram. Observe color code.
- c) Secure circuit board in junction box using two screws removed in step 2b. Do not overtighten.

6. REPLACE MAIN HOUSING

- a) Place main housing over vertical shaft bearing rotor. Be careful to align indexing key and channel in these two assemblies.
- b) Place main housing over vertical shaft bearing rotor until potentiometer coupling is near top of main housing.
- c) Turn potentiometer adjust thumbwheel until potentiometer coupling is oriented to engage ridge in top of main housing. Set screw on potentiometer coupling should be facing the front opening.
- d) With potentiometer coupling properly oriented, continue pushing main housing onto vertical shaft bearing rotor until main housing latch locks into position with a "click".

7. ALIGN VANE

- a) Connect excitation voltage and signal conditioning electronics to terminal strip according to wiring diagram.
- b) With mounting post held in position so junction box is facing due south, orient vane to a known angular reference. Details appear in CALIBRATION section.
- c) Reach in through front of main housing and turn potentiometer adjust thumbwheel until signal conditioning system indicates proper value.
- d) Tighten set screw* on potentiometer coupling.

8. REPLACE NOSE CONE

- a) Screw nose cone into main housing until o-ring seal is seated. Be certain threads are properly engaged to avoid cross-threading.

FLANGE BEARING REPLACEMENT

If anemometer bearings become noisy or wind speed threshold increases above an acceptable level, bearings may need replacement. Check anemometer bearing condition using a Model 18310 Propeller Torque Disc. If necessary, bearings are replaced as follows.

1. REMOVE OLD BEARINGS

- a) Unscrew nose cone. Set o-ring aside for later use.
- b) Loosen set screw on magnet shaft collar and remove magnet.
- c) Slide propeller shaft out of nose cone assembly.
- d) Remove front bearing cap which covers front bearing.
- e) Remove both front and rear bearings from nose cone assembly. Insert edge of a pocket knife under bearing flange and lift it out.

2. INSTALL NEW BEARINGS

- a) Insert new front and rear bearings into nose cone.
- b) Replace front bearing cap.
- c) Carefully slide propeller shaft thru bearings.
- d) Place magnet on propeller shaft allowing 0.5 mm (0.020") clearance from rear bearing.
- e) Tighten set screw* on magnet shaft collar.
- f) Screw nose cone into main housing until o-ring seal is seated. Be certain threads are properly engaged to avoid cross-threading.

VERTICAL SHAFT BEARING REPLACEMENT

Vertical shaft bearings are much larger than the anemometer bearings. Ordinarily, these bearings will require replacement less frequently than anemometer bearings. Check bearing condition using a Model 18331 Vane Torque Gauge.

Since this procedure is similar to POTENTIOMETER REPLACEMENT, only the major steps are listed here.

1. REMOVE MAIN HOUSING.
2. UNSOLDER TRANSDUCER WIRES AND REMOVE TRANSDUCER ASSEMBLY. Loosen set screws at base of transducer assembly and remove entire assembly from vertical shaft.
3. REMOVE VERTICAL SHAFT BEARING ROTOR by sliding it upward off vertical shaft.
4. REMOVE OLD VERTICAL BEARINGS AND INSTALL NEW BEARINGS. When inserting new bearings, be careful not to apply pressure to bearing shields.
5. REPLACE VERTICAL SHAFT BEARING ROTOR.
6. REPLACE TRANSDUCER & RECONNECT WIRES.
7. REPLACE MAIN HOUSING.
8. ALIGN VANE.
9. REPLACE NOSE CONE.

EMC COMPLIANCE

This device complies with Part 15 of the FCC Rules. Operation is subject to the following two conditions: (1) this device may not cause harmful interference, and (2) this device must accept any interference received, including interference that may cause undesired operation.

This equipment has been tested and found to comply with the limits for a Class A digital device, pursuant to part 15 of the FCC Rules. These limits are designed to provide reasonable protection against harmful interference when the equipment is operated in a commercial environment. This equipment generates, uses, and can radiate radio frequency energy and, if not installed and used in accordance with the instruction manual, may cause harmful interference to radio communications. Operation of this equipment in a residential area is likely to cause harmful interference in which case the user will be required to correct the interference at his own expense.

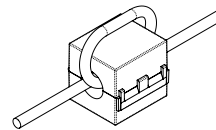
This ISM device complies with Canadian ICES-001.
Cet appareil ISM est conforme à la norme NMB-001 du Canada.

EN55011/CISPR 11, Group 1, Class B device.

Class B equipment is suitable for use in domestic establishments and in establishments directly connected to a low voltage power supply network which supplies buildings used for domestic purposes.

Note:

Wind Monitor sensors with Line Driver Output may be disrupted by radiated RF interference at 240-300 MHz. To meet EMC Compliance, (2) YOUNG 18500 ferrite chokes must be installed on the cable, one near the sensor, and one near the recording instrument. (Each choke must have the cable pass through the center hole at least 2 times, creating 1 loop around the outside as shown below.)



WARRANTY

This product is warranted to be free of defects in materials and construction for a period of 12 months from date of initial purchase. Liability is limited to repair or replacement of defective item. A copy of the warranty policy may be obtained from R. M. Young Company.

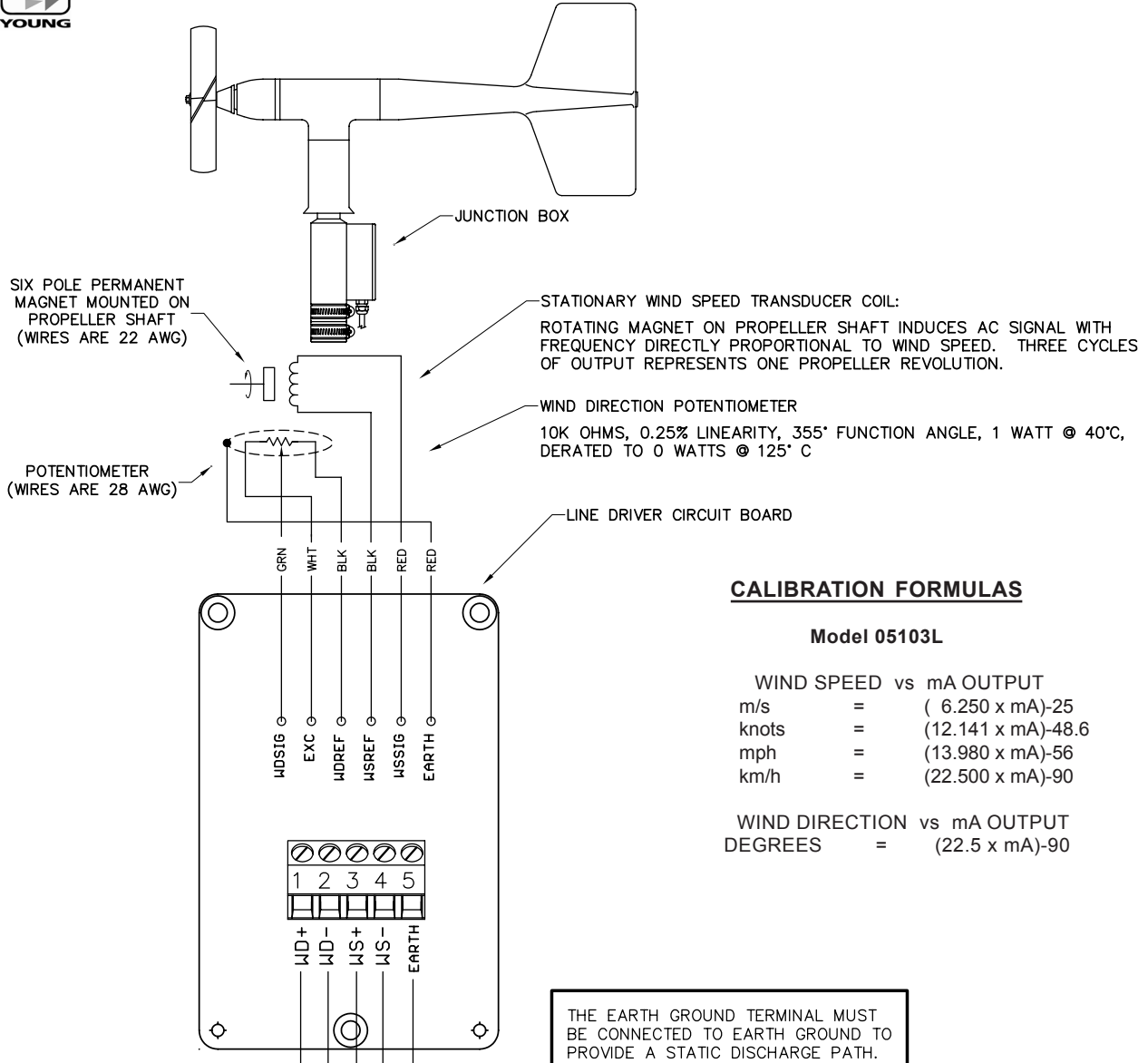
CE COMPLIANCE

This product has been tested and complies with European CE requirements for the EMC Directive. Please note that shielded cable must be used.



CABLE & WIRING DIAGRAM

MODEL 05103L WIND MONITOR



CALIBRATION FORMULAS

Model 05103L

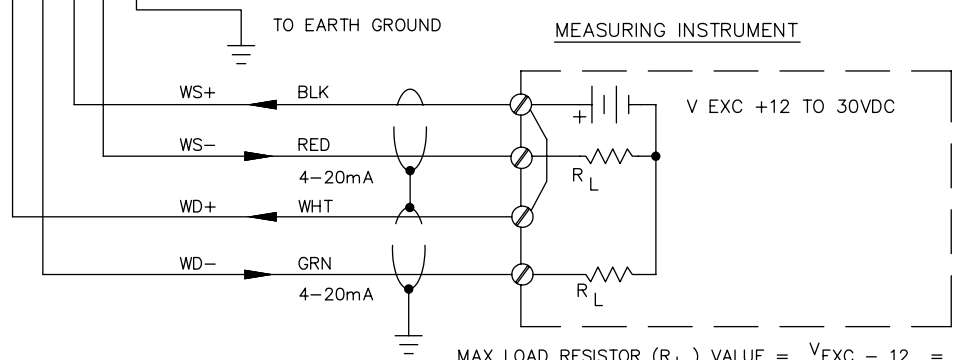
WIND SPEED vs mA OUTPUT

m/s	=	(6.250 x mA)-25
knots	=	(12.141 x mA)-48.6
mph	=	(13.980 x mA)-56
km/h	=	(22.500 x mA)-90

WIND DIRECTION vs mA OUTPUT

DEGREES	=	(22.5 x mA)-90
---------	---	----------------

THE EARTH GROUND TERMINAL MUST BE CONNECTED TO EARTH GROUND TO PROVIDE A STATIC DISCHARGE PATH.

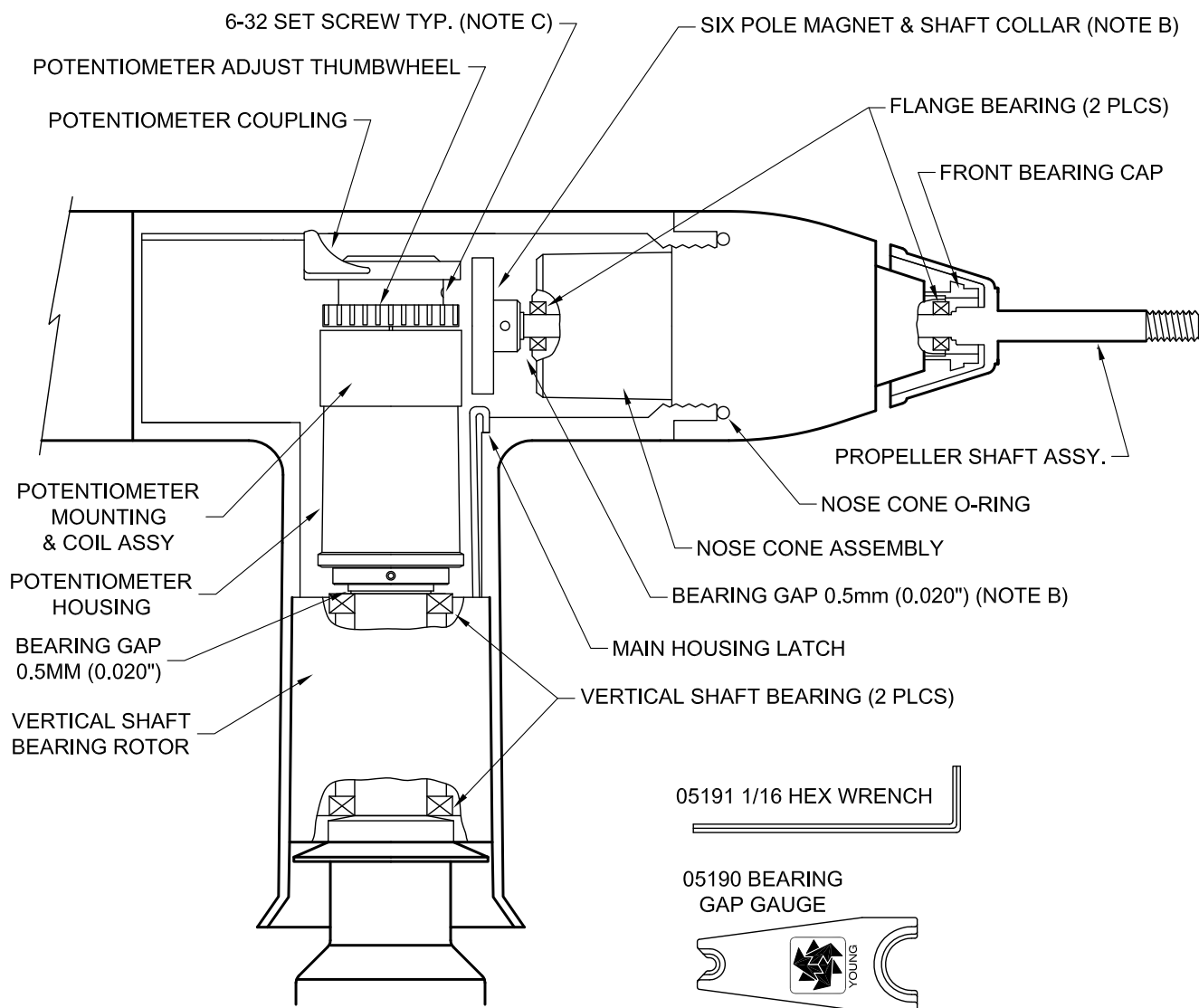


$$\text{MAX LOAD RESISTOR } (R_L) \text{ VALUE} = \frac{V_{\text{EXC}} - 12}{0.02} = R_L$$

$$V \text{ SUPPLY (MIN)} = 0.02 \times R_L + 12 \text{ (} R_L \text{ IS WIRE RESISTANCE)}$$



BEARING REPLACEMENT & POTENTIOMETER ADJUSTMENT



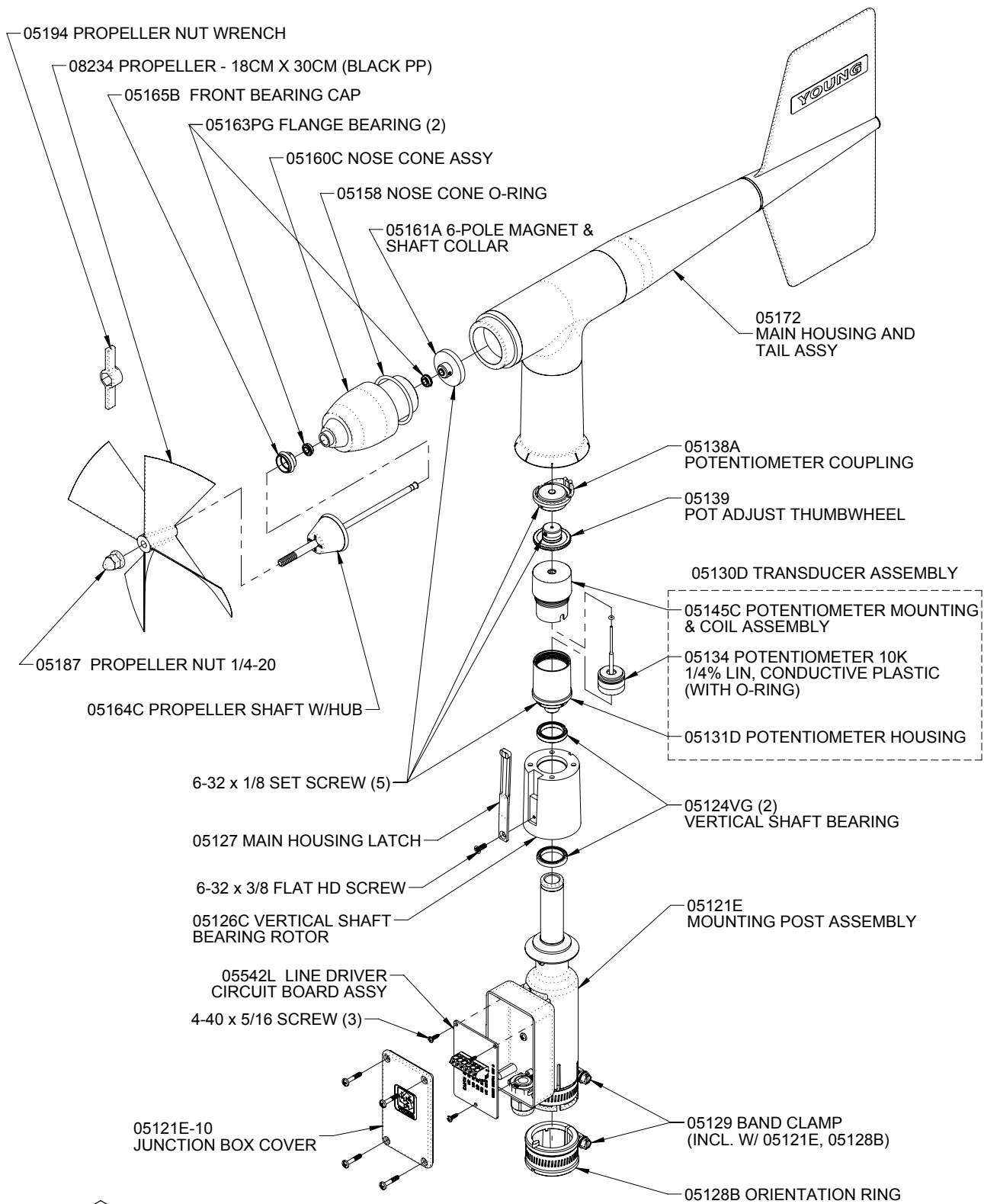
NOTES:

- A. TO REMOVE HOUSING - UNTHREAD NOSE CONE ASSEMBLY, PUSH MAIN HOUSING LATCH, LIFT UPWARD.
- B. TO REPLACE ANEMOMETER FLANGE BEARINGS - UNTHREAD NOSE CONE, REMOVE SIX POLE MAGNET, SLIDE PROPELLER SHAFT AND HUB ASSEMBLY FORWARD, REMOVE FLANGE BEARINGS. AFTER BEARING REPLACEMENT, SET BEARING GAP TO 0.5mm (0.020")
- C. TO ADJUST POTENTIOMETER OUTPUT SIGNAL - REMOVE NOSE CONE, LOOSEN SET SCREW IN POTENTIOMETER COUPLING, ADJUST OUTPUT SIGNAL BY MEANS OF POTENTIOMETER ADJUSTMENT THUMBWHEEL.



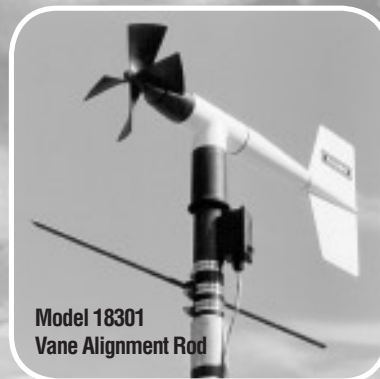
GENERAL ASSEMBLY & REPLACEMENT PARTS

MODEL 05103L WIND MONITOR



18500 FERRITE CHOKE (2)

Calibration Accessories



Model 18802 Anemometer Drive provides a convenient and accurate way to rotate an anemometer shaft at a known rate. The motor may be set to rotate clockwise or counter-clockwise at any rate between 200 and 15,000 RPM in 100 RPM increments. The LCD display is referenced to an accurate and stable quartz timebase. For completely portable operation, the unit can be operated on internal batteries. For extended operation, an AC wall adapter is included.

Model 18811 Anemometer Drive is identical to Model 18802 except the drive motor incorporates a gear reducer for operation in the range of 20 to 990 RPM in 10 RPM increments. The lower range is recommended for cup anemometer calibration.

Model 18112 Vane Angle Bench Stand is used for benchtop wind direction calibration of the Wind Monitor family of sensors. The mounting post engages the direction orientation notch on the Wind Monitor. An easy to read pointer indicates 0 to 360 degrees with 1/2 degree resolution.

Model 18212 Vane Angle Fixture - Tower Mount similar to the Model 18112, the tower mount feature allows use on the tower as well as the bench top. The fixture is temporarily placed on the tower between the Wind Monitor and its tower mounting. Index keys and notches are engaged to preserve direction reference.

Model 18310 Propeller Torque Disc checks anemometer bearing torque with 0.1 gm/cm resolution. The disc temporarily replaces the propeller for torque measurement or simple yet accurate pass/fail checks. Charts included with the unit relate torque to propeller threshold with limits for acceptable bearing performance.

Model 18312 Cup-Wheel Torque Disc checks cup anemometer bearing torque.

Model 18331 Vane Torque Gauge checks vane bearing torque of the Wind Monitor family sensors. Slip the fixture over the main housing and make simple yet accurate vane torque measurements. Charts relating vane torque to vane threshold provide limits for acceptable bearing performance.

Model 18301 Vane Alignment Rod helps align the vane of a wind sensor to a known direction reference during installation. The base of the device has an index key that engages the direction orientation notch in the sensor allowing the sensor to be removed without losing wind direction reference.

Specifications

MODEL 18802 ANEMOMETER DRIVE (Replaces 18801)

Range:
200 to 15,000 RPM in 100 RPM increments

Rotation:
Clockwise or Counter-Clockwise

Display Resolution:
1 RPM

Quartz Timebase Reference:
0.1 RPM

Power Requirement:
2x9 V (alkaline or lithium) batteries
115 VAC wall adapter included
(230 VAC – add suffix H)

MODEL 18811 ANEMOMETER DRIVE (Replaces 18810)

Range:
20 to 990 RPM in 10 RPM increments

Display Resolution:
0.1 RPM

MODEL 18112, 18212 VANE ANGLE CALIBRATION DEVICES

Range:
0 to 360 degrees

Resolution:
0.5 degree

MODEL 18310, 18312 TORQUE DISC DEVICES

Range:
0 to 5.4 gm-cm

Resolution:
0.1 gm-cm

MODEL 18331 VANE TORQUE GAUGE

Range:
0 to 50 gm-cm

Resolution:
5 gm-cm

Specifications subject to change without notice.

Ordering Information

MODEL

ANEMOMETER DRIVE 200 to 15,000 RPM	18802
ANEMOMETER DRIVE 20 TO 990 RPM	18811
230V / 50-60 HZ INPUT POWER	ADD SUFFIX "H"
VANE ANGLE BENCH STAND	18112
VANE ANGLE FIXTURE - TOWER MOUNT	18212
PROPELLER TORQUE DISC	18310
CUP-WHEEL TORQUE DISC	18312
VANE TORQUE GAUGE	18331
VANE ALIGNMENT ROD	18301



R.M. YOUNG COMPANY
2801 Aero Park Drive
Traverse City, Michigan 49686 USA
TEL: (231) 946-3980 FAX: (231) 946-4772
E-mail: met.sales@youngusa.com
Web Site: www.youngusa.com

Copyright © 2000 R.M. Young Company, Printed in U.S.A. 11/00